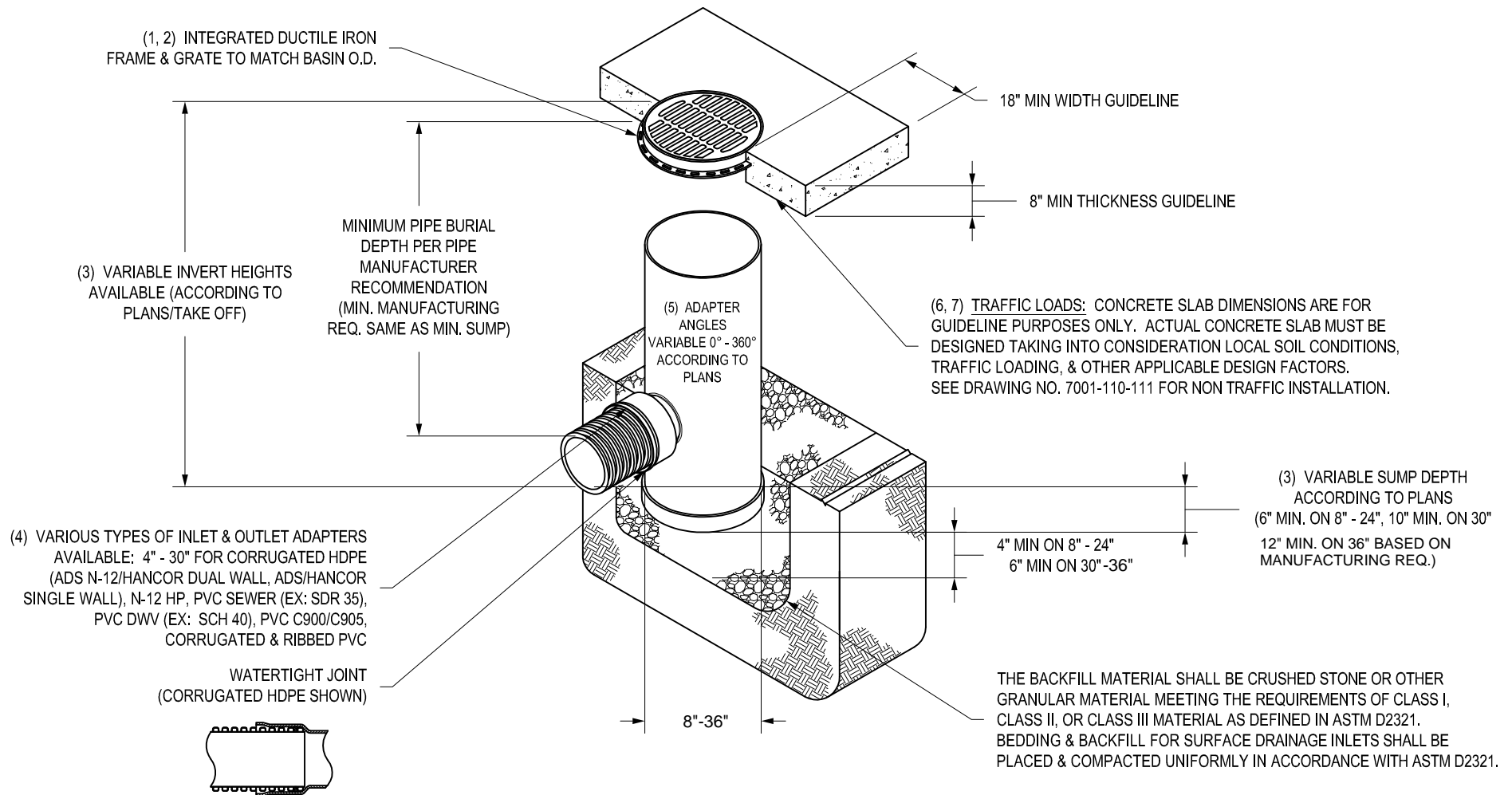


NYLOPLAST DRAIN BASIN WITH STANDARD GRATE



- 1 - 8" - 30" STANDARD GRATES SHALL BE DUCTILE IRON PER ASTM A536 GRADE 70-50-05.
- 2 - 12" - 30" FRAMES SHALL BE DUCTILE IRON PER ASTM A536 GRADE 70-50-05. 8" & 10" STANDARD GRATES FIT DIRECTLY ONTO DRAIN BASINS WITH THE USE OF A PVC BODY TOP. SEE DRAWING NO. 7001-110-045.
- 3 - DRAIN BASIN TO BE CUSTOM MANUFACTURED ACCORDING TO PLAN DETAILS. RISERS ARE NEEDED FOR BASINS OVER 84" DUE TO SHIPPING RESTRICTIONS. SEE DRAWING NO. 7001-110-065.
- 4 - DRAINAGE CONNECTION STUB JOINT TIGHTNESS SHALL CONFORM TO ASTM D3212 FOR CORRUGATED HDPE (ADS N-12/HANCOR DUAL WALL), N-12 HP, & PVC SEWER (4" - 24").
- 5 - ADAPTERS CAN BE MOUNTED ON ANY ANGLE 0° TO 360°. TO DETERMINE MINIMUM ANGLE BETWEEN ADAPTERS SEE DRAWING NO. 7001-110-012.
- 6 - 12" - 30" STANDARD GRATES SHALL MEET H-20 LOAD RATING.
- 7 - 8" & 10" STANDARD GRATES ARE RATED FOR LIGHT DUTY APPLICATIONS ONLY; NO CONCRETE COLLAR NEEDED FOR LIGHT DUTY RATING.

THIS PRINT DISCLOSES SUBJECT MATTER IN WHICH NYLOPLAST HAS PROPRIETARY RIGHTS. THE RECEIPT OR POSSESSION OF THIS PRINT DOES NOT CONFER, TRANSFER, OR LICENSE THE USE OF THE DESIGN OR TECHNICAL INFORMATION SHOWN HEREIN REPRODUCTION OF THIS PRINT OR ANY INFORMATION CONTAINED HEREIN, OR MANUFACTURE OF ANY ARTICLE HEREFROM, FOR THE DISCLOSURE TO OTHERS IS FORBIDDEN, EXCEPT BY SPECIFIC WRITTEN PERMISSION FROM NYLOPLAST.

©2011 NYLOPLAST

DRAWN BY	EBC	MATERIAL		
DATE	1-23-06			
REVISED BY	NMH	PROJECT NO./NAME		
DATE	03-11-16			
DWG SIZE	A	SCALE	1:40	SHEET 1 OF 1

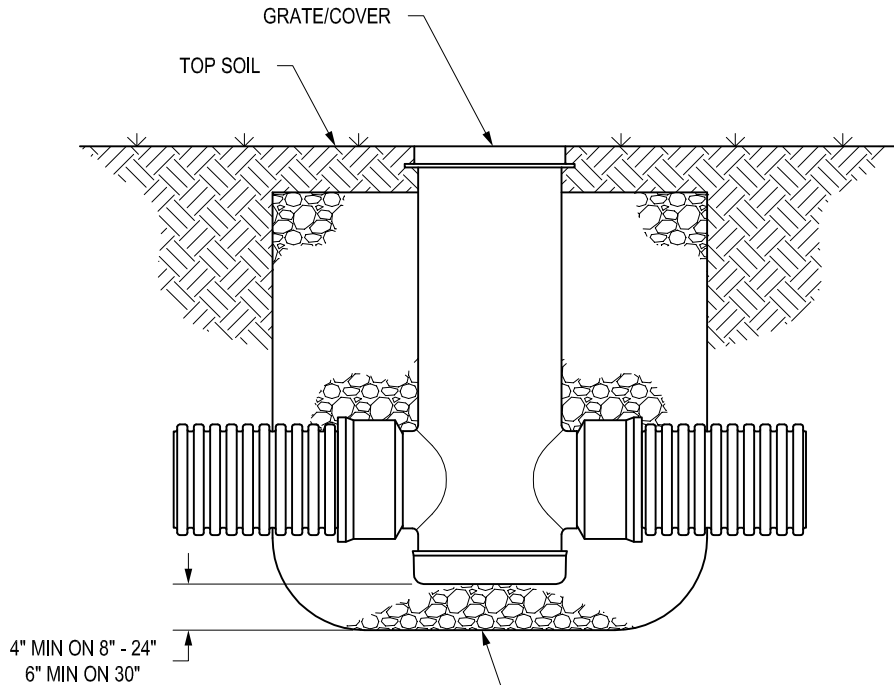
Nyloplast

3130 VERONA AVE
 BUFORD, GA 30518
 PHN (770) 932-2443
 FAX (770) 932-2490
www.nyloplast-us.com

TITLE	DRAIN BASIN WITH STANDARD GRATE QUICK SPEC INSTALLATION DETAIL		
DWG NO.	7001-110-144	REV	H

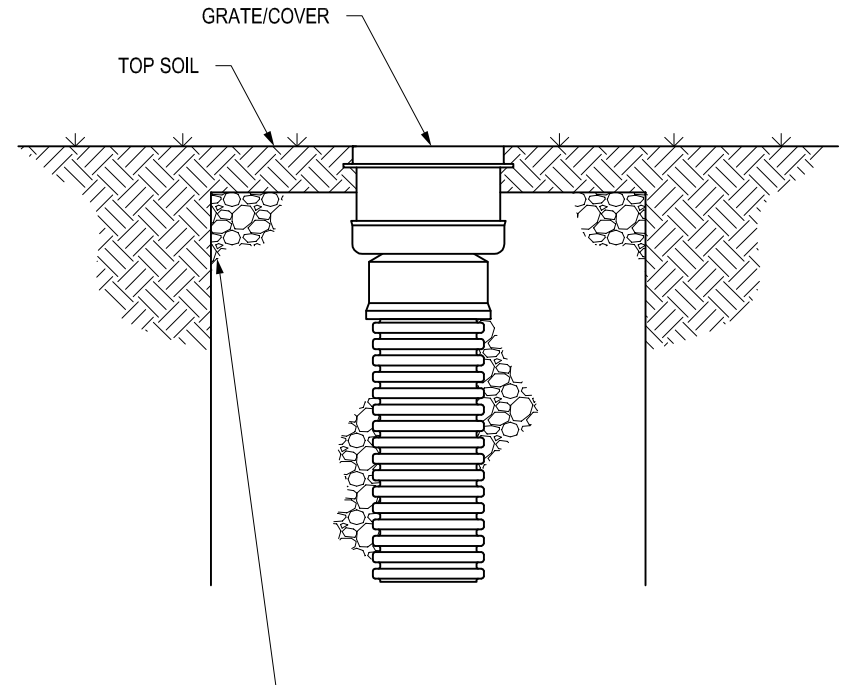
NON TRAFFIC INSTALLATION

DRAIN BASIN



THE BACKFILL MATERIAL SHALL BE CRUSHED STONE OR OTHER GRANULAR MATERIAL MEETING THE REQUIREMENTS OF CLASS I, CLASS II, OR CLASS III MATERIAL AS DEFINED IN ASTM D2321. BEDDING & BACKFILL FOR SURFACE DRAINAGE INLETS SHALL BE PLACED & COMPACTED UNIFORMLY IN ACCORDANCE WITH ASTM D2321.

INLINE DRAIN



THE BACKFILL MATERIAL SHALL BE CRUSHED STONE OR OTHER GRANULAR MATERIAL MEETING THE REQUIREMENTS OF CLASS I, CLASS II, OR CLASS III MATERIAL AS DEFINED IN ASTM D2321. BEDDING & BACKFILL FOR SURFACE DRAINAGE INLETS SHALL BE PLACED & COMPACTED UNIFORMLY IN ACCORDANCE WITH ASTM D2321.

THIS PRINT DISCLOSES SUBJECT MATTER IN WHICH NYLOPLAST HAS PROPRIETARY RIGHTS. THE RECEIPT OR POSSESSION OF THIS PRINT DOES NOT CONFER, TRANSFER, OR LICENSE THE USE OF THE DESIGN OR TECHNICAL INFORMATION SHOWN HEREIN REPRODUCTION OF THIS PRINT OR ANY INFORMATION CONTAINED HEREIN, OR MANUFACTURE OF ANY ARTICLE HEREFROM, FOR THE DISCLOSURE TO OTHERS IS FORBIDDEN, EXCEPT BY SPECIFIC WRITTEN PERMISSION FROM NYLOPLAST.

©2011 NYLOPLAST

DRAWN BY	CJA	MATERIAL		
DATE	9-30-99	PROJECT NO./NAME		
REVISED BY	NMH	SCALE	1:25	SHEET 1 OF 1
DATE	03-11-16	DWG NO.	7001-110-111	REV E
DWG SIZE	A			

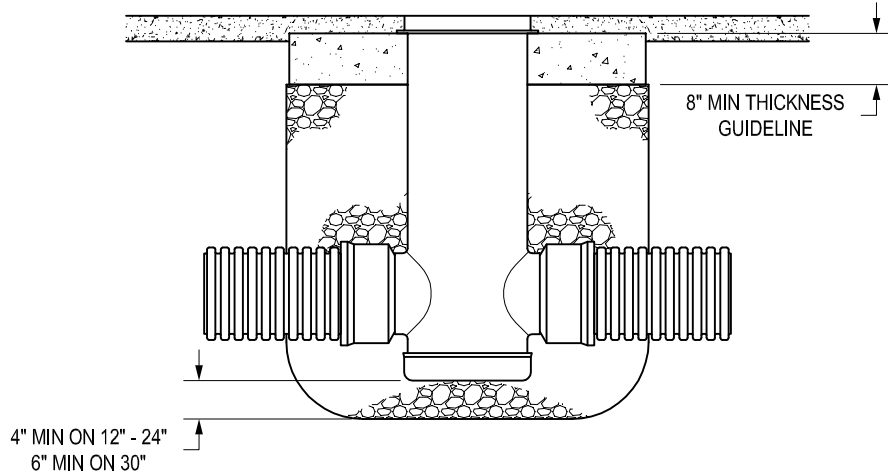
Nyloplast

3130 VERONA AVE
 BUFORD, GA 30518
 PHN (770) 932-2443
 FAX (770) 932-2490
www.nyloplast-us.com

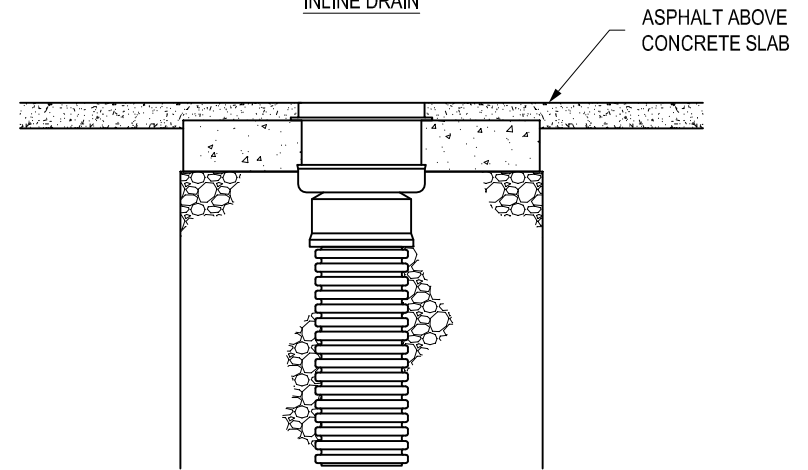
TITLE
DRAIN BASIN & INLINE DRAIN
NON TRAFFIC INSTALLATION

ASPHALT INSTALLATION

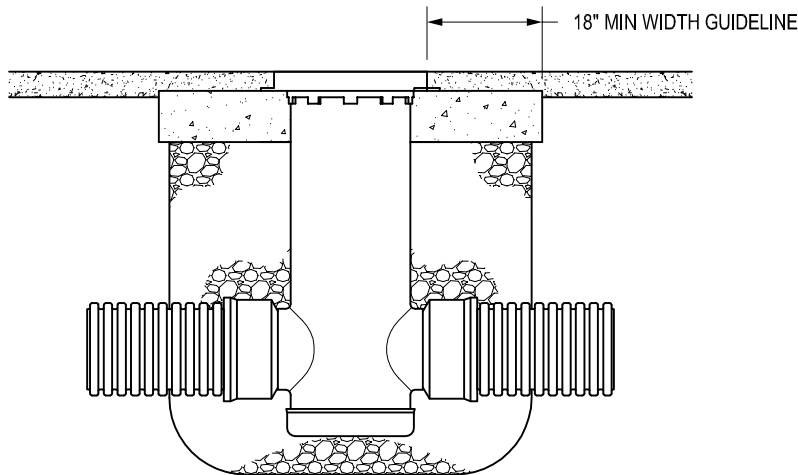
DRAIN BASIN



INLINE DRAIN



ROAD & HIGHWAY




STRUCTURE SIZE	H-20 GRATE OPTIONS				
12"	N/A	STANDARD	SOLID	2X2 R&H	N/A
15"	N/A	STANDARD	SOLID	2X2 R&H	N/A
18"	N/A	STANDARD	SOLID	2X2 R&H	2X3 R&H
24"	N/A	STANDARD	SOLID	2X2 R&H	2X3 R&H
30"	PEDESTRIAN	STANDARD	SOLID	2X2 R&H	2X3 R&H

- 1 - THE BACKFILL MATERIAL SHALL BE CRUSHED STONE OR OTHER GRANULAR MATERIAL MEETING THE REQUIREMENTS OF CLASS I, CLASS II, OR CLASS III MATERIAL AS DEFINED IN ASTM D2321. BEDDING & BACKFILL FOR SURFACE DRAINAGE INLETS SHALL BE PLACED & COMPACTED UNIFORMLY IN ACCORDANCE WITH ASTM D2321.
- 2 - TRAFFIC LOADS: CONCRETE SLAB DIMENSIONS ARE FOR GUIDELINE PURPOSES ONLY. ACTUAL CONCRETE SLAB MUST BE DESIGNED TAKING INTO CONSIDERATION LOCAL SOIL CONDITIONS, TRAFFIC LOADING, & OTHER APPLICABLE DESIGN FACTORS.

THIS PRINT DISCLOSES SUBJECT MATTER IN WHICH NYLOPLAST HAS PROPRIETARY RIGHTS. THE RECEIPT OR POSSESSION OF THIS PRINT DOES NOT CONFER, TRANSFER, OR LICENSE THE USE OF THE DESIGN OR TECHNICAL INFORMATION SHOWN HEREIN REPRODUCTION OF THIS PRINT OR ANY INFORMATION CONTAINED HEREIN, OR MANUFACTURE OF ANY ARTICLE HEREFROM, FOR THE DISCLOSURE TO OTHERS IS FORBIDDEN, EXCEPT BY SPECIFIC WRITTEN PERMISSION FROM NYLOPLAST.

©2011 NYLOPLAST

DRAWN BY	EBC	MATERIAL
DATE	4-4-06	
REVISED BY	NMH	PROJECT NO./NAME
DATE	03-14-16	
DWG SIZE	A	SCALE 1:30 SHEET 1 OF 1



Nyloplast

3130 VERONA AVE
 BUFORD, GA 30518
 PHN (770) 932-2443
 FAX (770) 932-2490
 www.nyloplast-us.com

TITLE
DRAIN BASIN, INLINE DRAIN, & ROAD & HIGHWAY
 (H-20 TRAFFIC LOAD) ASPHALT INSTALLATION DETAIL

DWG NO. 7001-110-188 REV E

Section 2721

Engineered Surface Drainage Products

GENERAL

PVC surface drainage inlets shall include the drain basin type as indicated on the contract drawing and referenced within the contract specifications. The ductile iron grates for each of these fittings are to be considered an integral part of the surface drainage inlet and shall be furnished by the same manufacturer. The surface drainage inlets shall be as manufactured by Nyloplast a division of Advanced Drainage Systems, Inc., or prior approved equal.


MATERIALS

The drain basins required for this contract shall be manufactured from PVC pipe stock, utilizing a thermoforming process to reform the pipe stock to the specified configuration. The drainage pipe connection stubs shall be manufactured from PVC pipe stock and formed to provide a watertight connection with the specified pipe system. This joint tightness shall conform to ASTM D3212 for joints for drain and sewer plastic pipe using flexible elastomeric seals. The flexible elastomeric seals shall conform to ASTM F477. The pipe bell spigot shall be joined to the main body of the drain basin or catch basin. The raw material used to manufacture the pipe stock that is used to manufacture the main body and pipe stubs of the surface drainage inlets shall conform to ASTM D1784 cell class 12454.

The grates and frames furnished for all surface drainage inlets shall be ductile iron for sizes 8", 10", 12", 15", 18", 24" and 30" and shall be made specifically for each basin so as to provide a round bottom flange that closely matches the diameter of the surface drainage inlet. Grates for drain basins shall be capable of supporting various wheel loads as specified by Nyloplast. 12" and 15" square grates will be hinged to the frame using pins. Ductile iron used in the manufacture of the castings shall conform to ASTM A536 grade 70-50-05. Grates and covers shall be provided painted black.

INSTALLATION

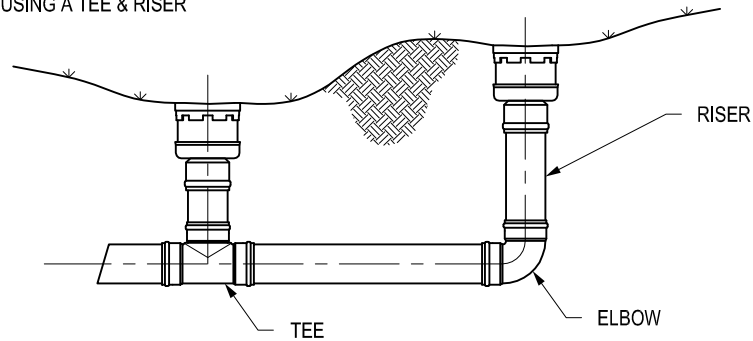
The specified PVC surface drainage inlet shall be installed using conventional flexible pipe backfill materials and procedures. The backfill material shall be crushed stone or other granular material meeting the requirements of class 1, class 2, or class 3 material as defined in ASTM D2321. Bedding and backfill for surface drainage inlets shall be well placed and compacted uniformly in accordance with ASTM D2321. The drain basin body will be cut at the time of the final grade. No brick, stone or concrete block will be required to set the grate to the final grade height. For load rated installations, a concrete slab shall be poured under and around the grate and frame. The concrete slab must be designed taking into consideration local soil conditions, traffic loading, and other applicable design factors. For other installation considerations such as migration of fines, ground water, and soft foundations refer to ASTM D2321 guidelines.

THIS PRINT DISCLOSES SUBJECT MATTER IN WHICH NYLOPLAST HAS PROPRIETARY RIGHTS. THE RECEIPT OR POSSESSION OF THIS PRINT DOES NOT CONFER, TRANSFER, OR LICENSE THE USE OF THE DESIGN OR TECHNICAL INFORMATION SHOWN HEREIN REPRODUCTION OF THIS PRINT OR ANY INFORMATION CONTAINED HEREIN, OR MANUFACTURE OF ANY ARTICLE HEREFROM, FOR THE DISCLOSURE TO OTHERS IS FORBIDDEN, EXCEPT BY SPECIFIC WRITTEN PERMISSION FROM NYLOPLAST. ©2013 NYLOPLAST	DRAWN BY	CJA	MATERIAL		 3130 VERONA AVE BUFORD, GA 30518 PHN (770) 932-2443 FAX (770) 932-2490 www.nyloplast-us.com				
	DATE	3-10-00	PROJECT NO./NAME						
	REVISED BY	NMH			TITLE				
	DATE	03-11-16	8 IN - 30 IN DRAIN BASIN SPECIFICATIONS						
DWG SIZE	A	SCALE	1:1	SHEET	1 OF 1	DWG NO.	7001-110-011	REV	H

WHEN ARE INLINE DRAINS USED?

- 2708AG __X
- 2710AG __X
- 2712AG __X
- 2715AG __X
- 2718AG __X
- 2724AG __X
- 2730AG __X

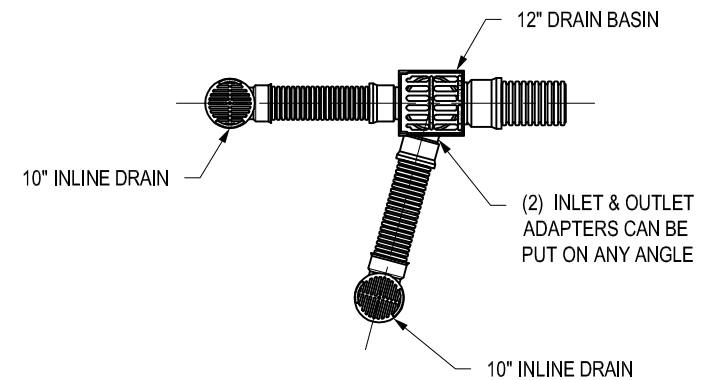
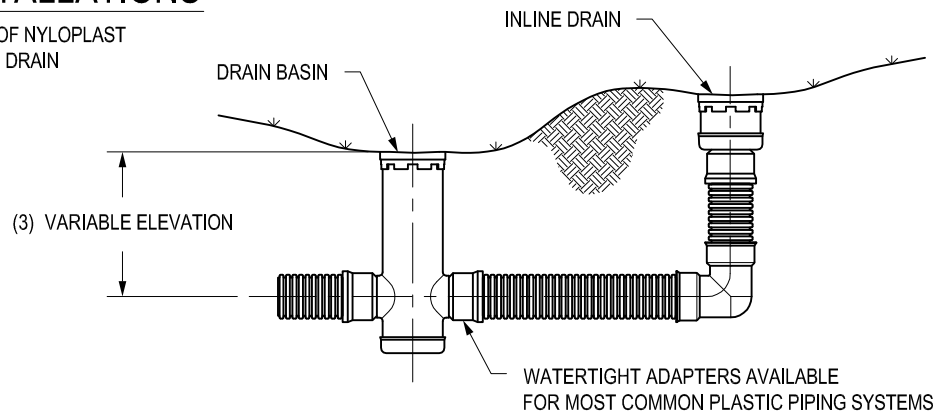
1: TO ENTER AN EXISTING LINE USING A TEE & RISER



2: AT THE BEGINNING OF A DRAIN LINE USING AN ELBOW & RISER

TYPICAL INSTALLATIONS

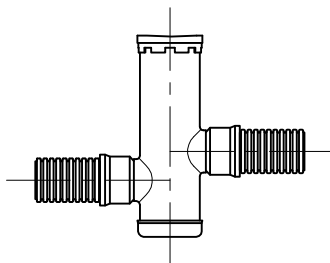
TYPICAL INSTALLATION OF NYLOPLAST DRAIN BASIN AND INLINE DRAIN



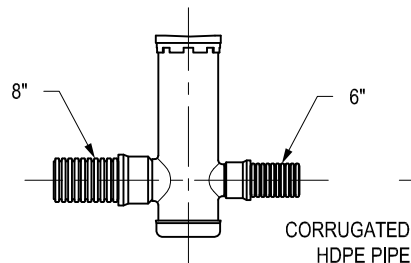
WHEN ARE DRAIN BASINS USED?

- 2808AG __X
- 2810AG __X
- 2812AG __X
- 2815AG __X
- 2818AG __X
- 2824AG __X
- 2830AG __X

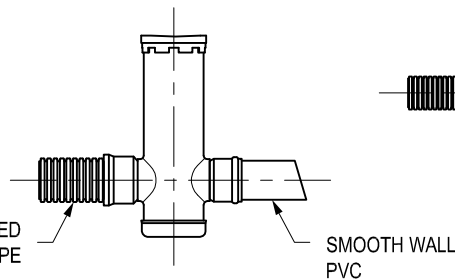
1: TO CHANGE ELEVATION



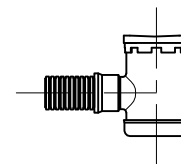
2: TO CHANGE PIPE DIAMETER



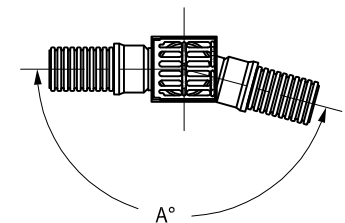
3: TO CHANGE PIPE TYPE



4: FOR SHALLOW APPLICATIONS



5: TO CHANGE DIRECTION




- 1 - STRUCTURES & ADAPTERS AVAILABLE IN SIZES 8" - 30"
- 2 - ADAPTERS CAN BE MOUNTED ON ANY ANGLE 0° TO 360°, TO DETERMINE MINIMUM ANGLE BETWEEN ADAPTERS SEE DRAWING NO. 7001-110-012
- 3 - DRAIN BASIN TO BE CUSTOM MANUFACTURED ACCORDING TO PLAN DETAILS RISERS ARE NEEDED FOR BASINS OVER 84" DUE TO SHIPPING RESTRICTIONS SEE DRAWING NO. 7001-110-065

THIS PRINT DISCLOSES SUBJECT MATTER IN WHICH NYLOPLAST HAS PROPRIETARY RIGHTS. THE RECEIPT OR POSSESSION OF THIS PRINT DOES NOT CONFER, TRANSFER, OR LICENSE THE USE OF THE DESIGN OR TECHNICAL INFORMATION SHOWN HEREIN REPRODUCTION OF THIS PRINT OR ANY INFORMATION CONTAINED HEREIN, OR MANUFACTURE OF ANY ARTICLE HEREFROM, FOR THE DISCLOSURE TO OTHERS IS FORBIDDEN, EXCEPT BY SPECIFIC WRITTEN PERMISSION FROM NYLOPLAST.

©2010 NYLOPLAST

DRAWN BY	AWA	MATERIAL
DATE	8-10-00	
REVISED BY	EBC	PROJECT NO./NAME
DATE	1-6-10	
DWG SIZE	A	SCALE 1:40 SHEET 1 OF 1

3130 VERONA AVE
 BUFORD, GA 30518
 PHN (770) 932-2443
 FAX (770) 932-2490
www.nyloplast-us.com



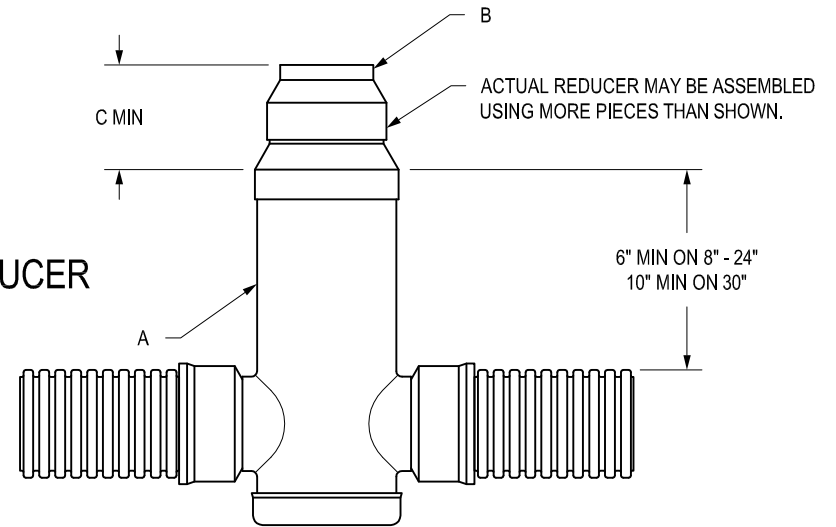
TITLE
 8 IN - 30 IN TYPICAL INSTALLATION OPTIONS

DWG NO. 7001-110-042

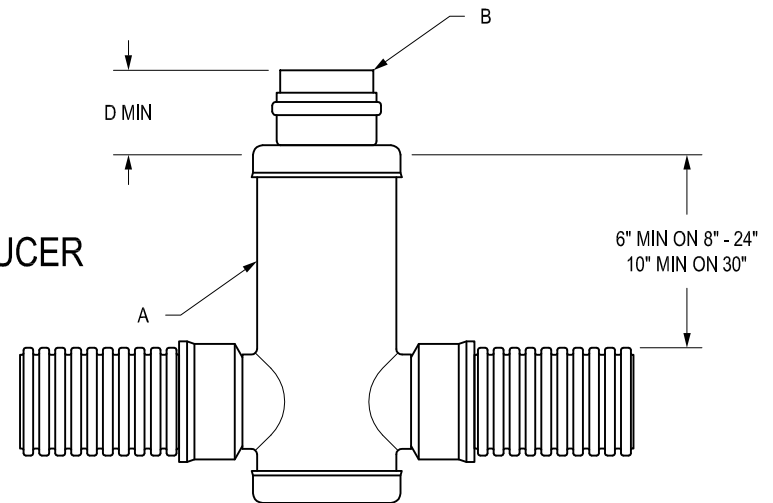
REV D

A	B	C	D
10"	8"	6.00	9.00
12"	8"	12.00	9.00
12"	10"	6.00	10.00
15"	8"	18.50	9.00
15"	10"	12.50	10.00
15"	12"	6.50	
18"	8"	25.50	9.00
18"	10"	19.50	10.00
18"	12"	13.50	11.50
18"	15"	7.00	
24"	8"	36.50	9.00
24"	10"	30.50	10.00
24"	12"	24.50	11.00
24"	15"	18.00	12.00
24"	18"	11.00	
30"	8"	46.50	9.00
30"	10"	40.50	10.00
30"	12"	34.50	11.50
30"	15"	28.00	12.00
30"	18"	21.00	14.50
30"	24"	13.50	

CONE STYLE REDUCER



CAP STYLE REDUCER




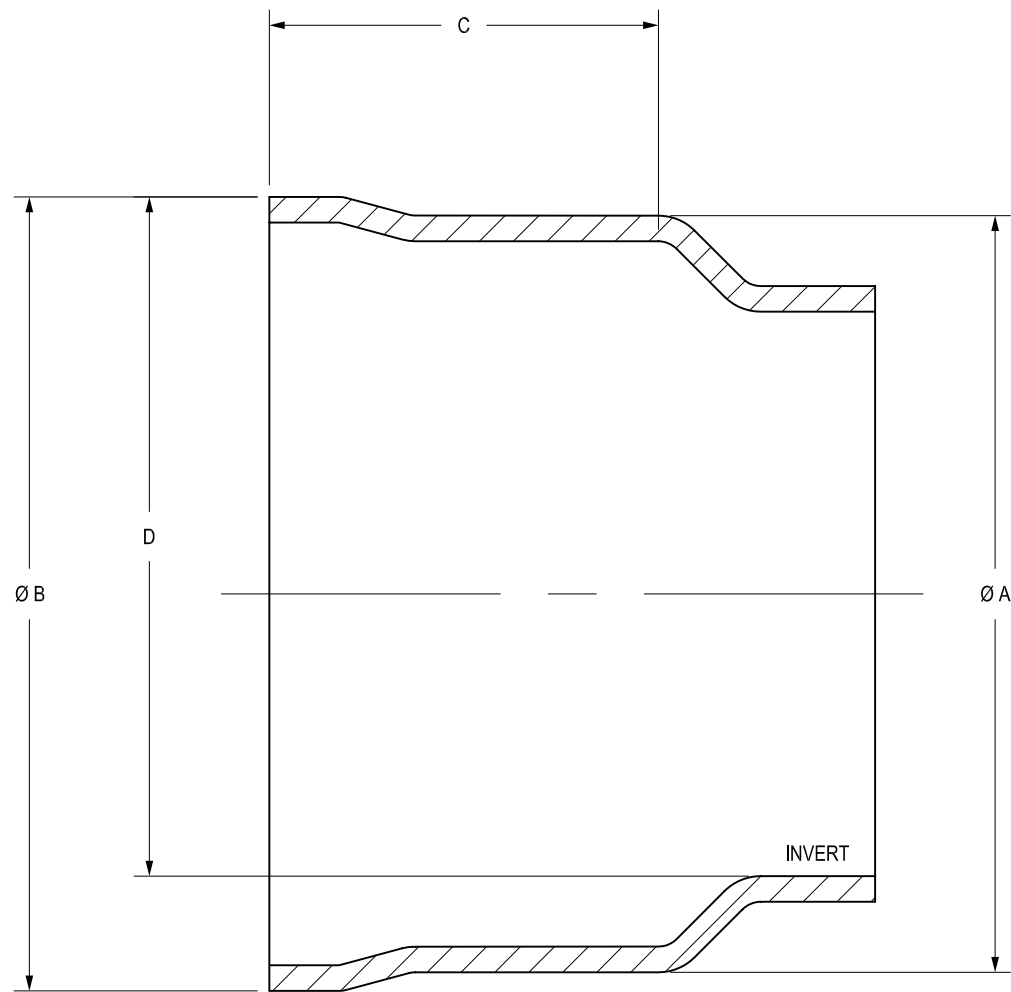
NOTE: DIMENSIONS ARE FOR REFERENCE ONLY
ACTUAL DIMENSIONS MAY VARY

THIS PRINT DISCLOSES SUBJECT MATTER IN WHICH NYLOPLAST HAS PROPRIETARY RIGHTS. THE RECEIPT OR POSSESSION OF THIS PRINT DOES NOT CONFER, TRANSFER, OR LICENSE THE USE OF THE DESIGN OR TECHNICAL INFORMATION SHOWN HEREIN REPRODUCTION OF THIS PRINT OR ANY INFORMATION CONTAINED HEREIN, OR MANUFACTURE OF ANY ARTICLE HEREFROM, FOR THE DISCLOSURE TO OTHERS IS FORBIDDEN, EXCEPT BY SPECIFIC WRITTEN PERMISSION FROM NYLOPLAST.

©2010 NYLOPLAST

DRAWN BY	CJA	MATERIAL
DATE	2-6-03	
REVISED BY	JJC	PROJECT NO./NAME
DATE	7-10-13	
DWG SIZE	A	SCALE 1:25 SHEET 1 OF 1

	3130 VERONA AVE BUFORD, GA 30518 PHN (770) 932-2443 FAX (770) 932-2490 www.nyloplast-us.com
	TITLE
DRAIN BASIN WITH REDUCER OPTIONS	
DWG NO.	7001-110-104 REV E



SIZE	Ø A MIN	Ø A MAX	Ø B MIN	Ø B MAX	C MIN	C MAX	D AVG
4"	5.170	5.270	5.546	5.796	3.125	4.510	4.765
6"	7.447	7.517	7.982	8.232	3.313	5.113	6.807
8"	9.670	9.800	10.355	10.605	4.250	6.222	9.013
10"	12.190	12.250	12.850	13.100	5.125	7.026	11.191
12"	15.258	15.469	15.964	16.214	5.500	7.399	13.641
15"	18.230	18.470	18.975	19.225	6.400	9.409	16.542
18"	22.706	22.931	24.304	24.554	7.000	9.787	20.773
24"	29.654	29.916	31.582	31.832	9.125	10.979	27.754
30"	37.274	37.424	39.464	39.714	11.854	13.854	35.168

DIMENSIONS ARE FOR REFERENCE ONLY
 ACTUAL DIMENSIONS MAY VARY
 DIMENSIONS ARE IN INCHES

THIS PRINT DISCLOSES SUBJECT MATTER IN WHICH NYLOPLAST HAS PROPRIETARY RIGHTS. THE RECEIPT OR POSSESSION OF THIS PRINT DOES NOT CONFER, TRANSFER, OR LICENSE THE USE OF THE DESIGN OR TECHNICAL INFORMATION SHOWN HEREIN REPRODUCTION OF THIS PRINT OR ANY INFORMATION CONTAINED HEREIN, OR MANUFACTURE OF ANY ARTICLE HEREFROM, FOR THE DISCLOSURE TO OTHERS IS FORBIDDEN, EXCEPT BY SPECIFIC WRITTEN PERMISSION FROM NYLOPLAST. ©2010 NYLOPLAST

DRAWN BY EBC
 DATE 12-19-06
 REVISED BY EBC
 DATE 3-22-10
 DWG SIZE A

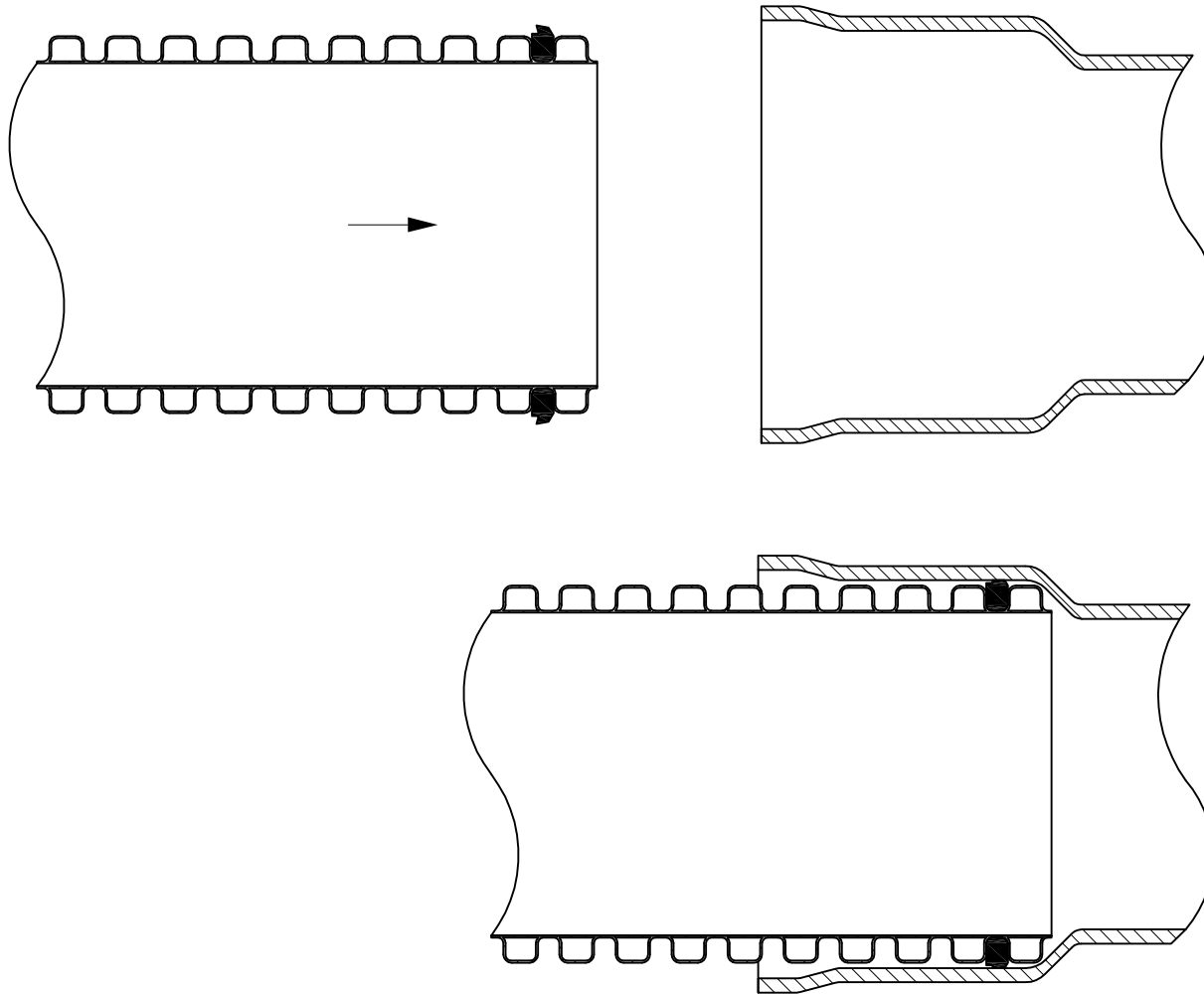
MATERIAL
 PVC
 PROJECT NO./NAME
 SCALE NTS SHEET 1 OF 1



3130 VERONA AVE
 BUFORD, GA 30518
 PHN (770) 932-2443
 FAX (770) 932-2490
 www.nyloplast-us.com

TITLE
 4 IN - 30 IN ADS N-12 / HANCOR DUAL WALL
 UNIVERSAL BELL INFORMATION
 DWG NO. 7001-110-275 REV B


WATER TIGHT JOINT



THIS PRINT DISCLOSES SUBJECT MATTER IN WHICH NYLOPLAST HAS PROPRIETARY RIGHTS. THE RECEIPT OR POSSESSION OF THIS PRINT DOES NOT CONFER, TRANSFER, OR LICENSE THE USE OF THE DESIGN OR TECHNICAL INFORMATION SHOWN HEREIN REPRODUCTION OF THIS PRINT OR ANY INFORMATION CONTAINED HEREIN, OR MANUFACTURE OF ANY ARTICLE HEREFROM, FOR THE DISCLOSURE TO OTHERS IS FORBIDDEN, EXCEPT BY SPECIFIC WRITTEN PERMISSION FROM NYLOPLAST.

©2010 NYLOPLAST

DRAWN BY	CJA	MATERIAL	
DATE	2-25-03	PROJECT NO./NAME	
REVISED BY	EBC		
DATE	3-15-10		
DWG SIZE	A	SCALE	NTS SHEET 1 OF 1



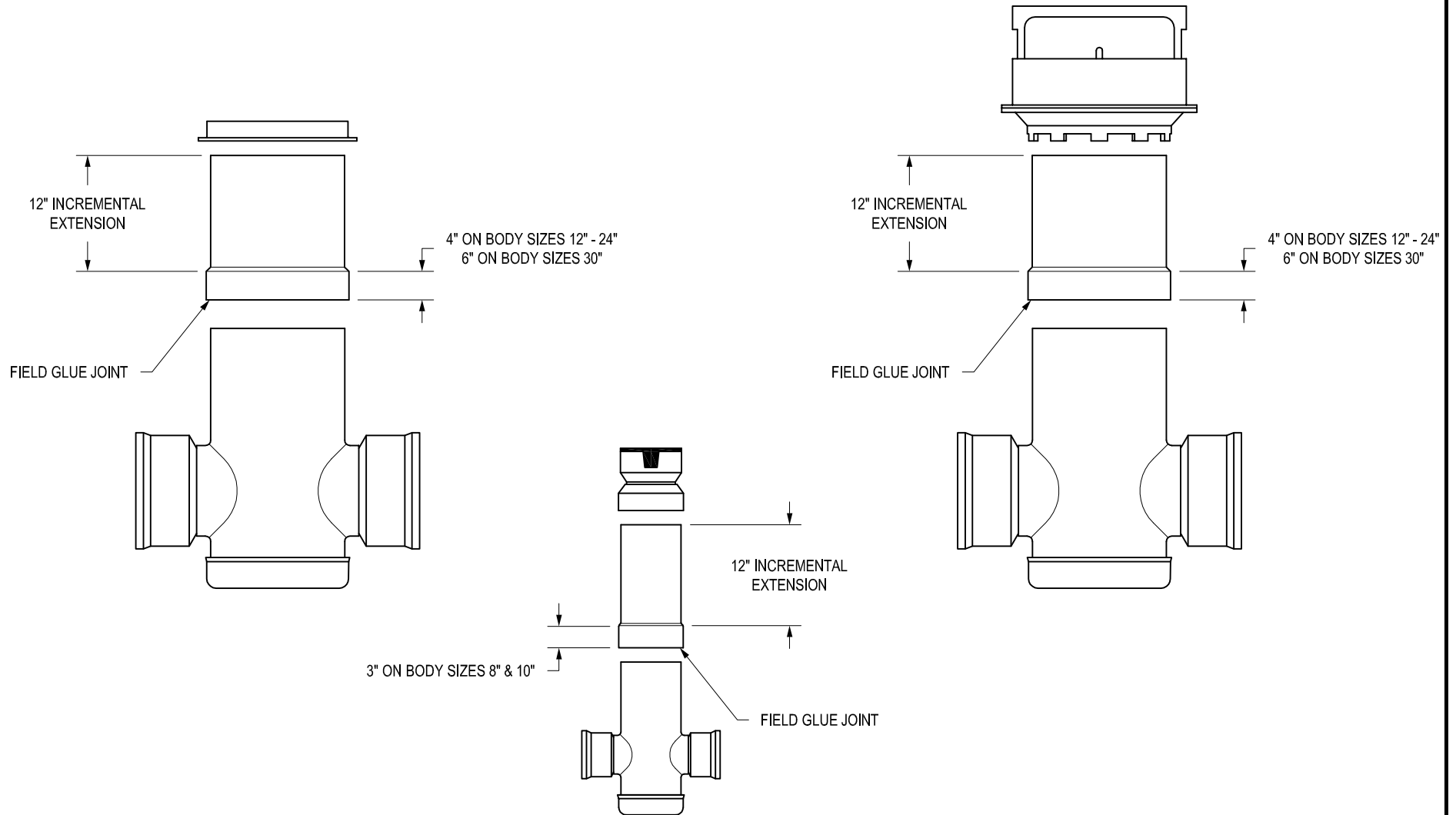
Nyloplast

3130 VERONA AVE
 BUFORD, GA 30518
 PHN (770) 932-2443
 FAX (770) 932-2490
www.nyloplast-us.com

TITLE
 ADS N-12/HANCOR DUAL WALL & N-12 HP
 WATER TIGHT JOINT DETAIL

DWG NO.	7001-110-115	REV	C
----------------	--------------	------------	---

NYLOPLAST RISER EXTENSION: 29 __ AG



1. NYLOPLAST RISER JOINTS SHALL BE FIELD INSTALLED USING THE GUIDELINES OUTLINED IN ASTM D2855.
2. PVC CEMENT USED SHALL MEET THE REQUIREMENTS OF ASTM D2564.
3. PVC PRIMER USED SHALL MEET THE REQUIREMENTS OF ASTM F656.

THIS PRINT DISCLOSES SUBJECT MATTER IN WHICH NYLOPLAST HAS PROPRIETARY RIGHTS. THE RECEIPT OR POSSESSION OF THIS PRINT DOES NOT CONFER, TRANSFER, OR LICENSE THE USE OF THE DESIGN OR TECHNICAL INFORMATION SHOWN HEREIN REPRODUCTION OF THIS PRINT OR ANY INFORMATION CONTAINED HEREIN, OR MANUFACTURE OF ANY ARTICLE HEREFROM, FOR THE DISCLOSURE TO OTHERS IS FORBIDDEN, EXCEPT BY SPECIFIC WRITTEN PERMISSION FROM NYLOPLAST.

©2012 NYLOPLAST

DRAWN BY	CJA	MATERIAL	
DATE	9-18-00	PROJECT NO./NAME	
REVISED BY	JJC		
DATE	1-30-12		
DWG SIZE	A	SCALE	1:20 SHEET 1 OF 1

	3130 VERONA AVE BUFORD, GA 30518 PHN (770) 932-2443 FAX (770) 932-2490 www.nyloplast-us.com
	TITLE 8 IN - 30 IN RISER EXTENSION
DWG NO.	7001-110-065 REV D